

NOTES:

1. THIS PROTECTIVE COVER IS DESIGNED TO PROTECT THE INTERFACE OF MTC100 PLUG CONNECTORS. THE PARTS ALSO OFFER ELECTROMAGNETIC EMISSION PROTECTION.

2. **MATING TORQUE**
FOR PROPER MATING CONDITION, SCREWS MUST BE EQUALLY TIGHTENED AND LOOSENED BY ONE HALF TURN A TIME TO PREVENT ANY DAMAGES TO THE MATING GASKET. RETENTION SCREWS ARE TO BE TORQUED TO 7±0.5 in-lbs.

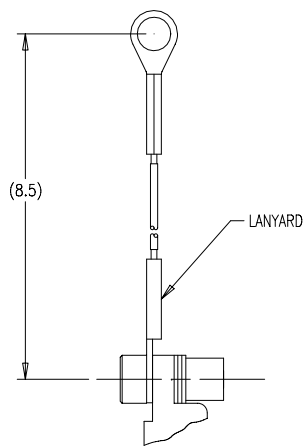
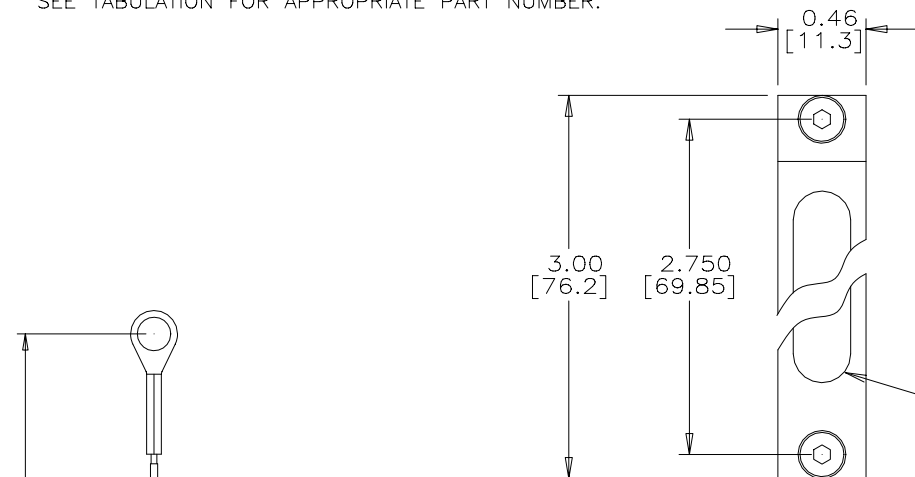
3. MATERIAL:

- a. HOUSING ALUMINUM ALLOY PER QQ-A-601 OR QQ-A-225
- b. ADAPTER SCREW STAINLESS STEEL PER QQ-S-763
- c. GASKET CONDUCTIVE FLUOROSILICONE ELASTOMER
- d. FLAT WASHER STAINLESS STEEL PER QQ-S-766
- e. ADAPTER NUT STAINLESS STEEL PER QQ-S-766
- f. PANEL WASHER STAINLESS STEEL PER QQ-S-766
- g. LANYARD STAINLESS STEEL PER QQ-S-766

4. FINISH:

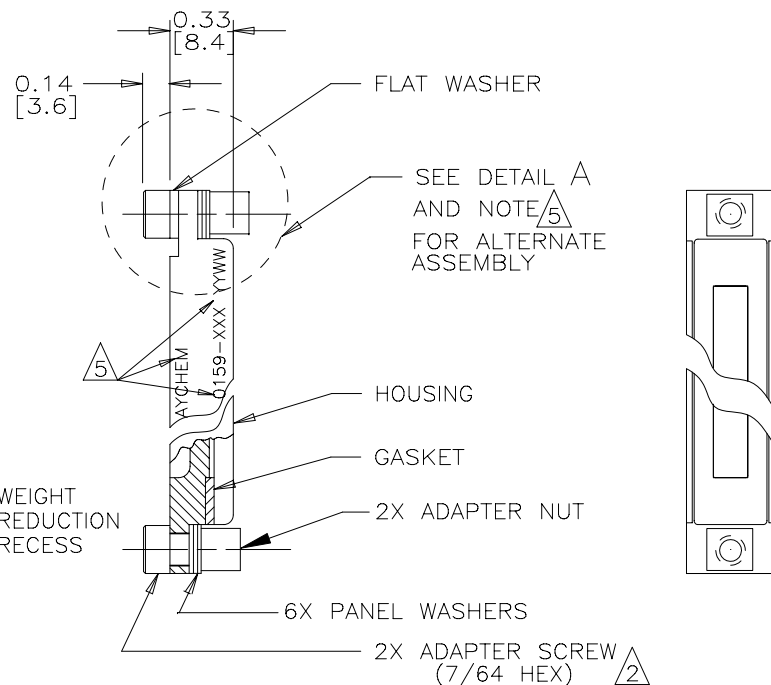
- a. HOUSING CADMIUM PLATE PER QQ-P-416 OVER NICKEL UNDERPLATE
- b. ADAPTER SCREW CADMIUM PLATE PER QQ-P-416
- c. FLAT WASHER CADMIUM PLATE PER QQ-P-416
- d. ADAPTER NUT CADMIUM PLATE PER QQ-P-416
- e. PANEL WASHER CADMIUM PLATE PER QQ-P-416
- f. LANYARD CADMIUM PLATE PER QQ-P-416

5. "RAYCHEM", PART NUMBER AND DATE CODE STAMPED APPROXIMATELY AS SHOWN. SEE TABULATION FOR APPROPRIATE PART NUMBER.



DETAIL A
FOR CHA-0159-009 PART ONLY

5 PART NUMBER	DESCRIPTION	WEIGHT (MAXIMUM)
CHA-0159	WITHOUT LANYARD	.044 LBS. [20.13 gr.]
CHA-0159-009	WITH LANYARD PER DETAIL A	.047 LBS. [21.44gr.]



SPECIFICATION CONTROL DRAWING

UNLESS OTHERWISE SPECIFIED DIMENSIONS ARE IN INCHES. METRIC DIMENSIONS ARE IN BRACKETS.	DRAWN	ZS.ORBAN	11/9/2001	Tyco Electronics/Raychem WIRE AND HARNESSING PRODUCTS 307 CONSTITUTION DRIVE MENLO PARK, CALIFORNIA 94025			
	CHECKED						
DECIMALS .XXX ±.010 { .25 mm } .XX ±.02 { .5 mm }	APPROVED			TITLE COVER, PROTECTIVE, RECEPTACLE TYPE, 2", EME COMPATIBLE MTC100 SERIES			
	APPROVED	M.HIGGY	11/9/2001				
ANGLES .X ±	CAD NAME	T30327.DWG		SIZE	CODE IDENT. NO.	DWG. NO.	REV
WEIGHT SEE TABULATION	THIRD ANGLE PROJECTION			A	06090	CHA-0159-XXX	A
				DO NOT SCALE THIS DRAWING		SHEET 1 OF 1	

REVISIONS			
LTR	DESCRIPTION	DATE	APPROVED
A	REVISED PER ECN T-30327	11/30/2001	M.HIGGY

**If this document is printed it becomes uncontrolled.
Check with the web for latest revision.**

DWG NO. CHA-0159XXX

SHEET

1