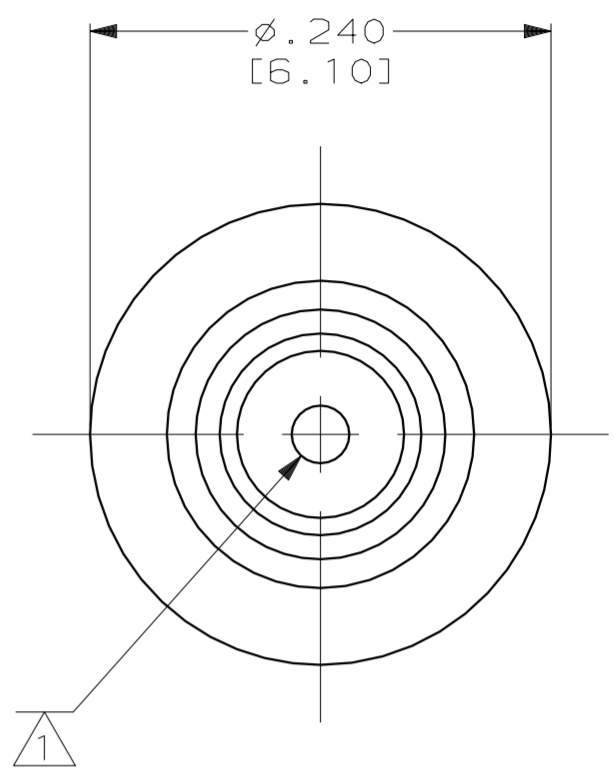
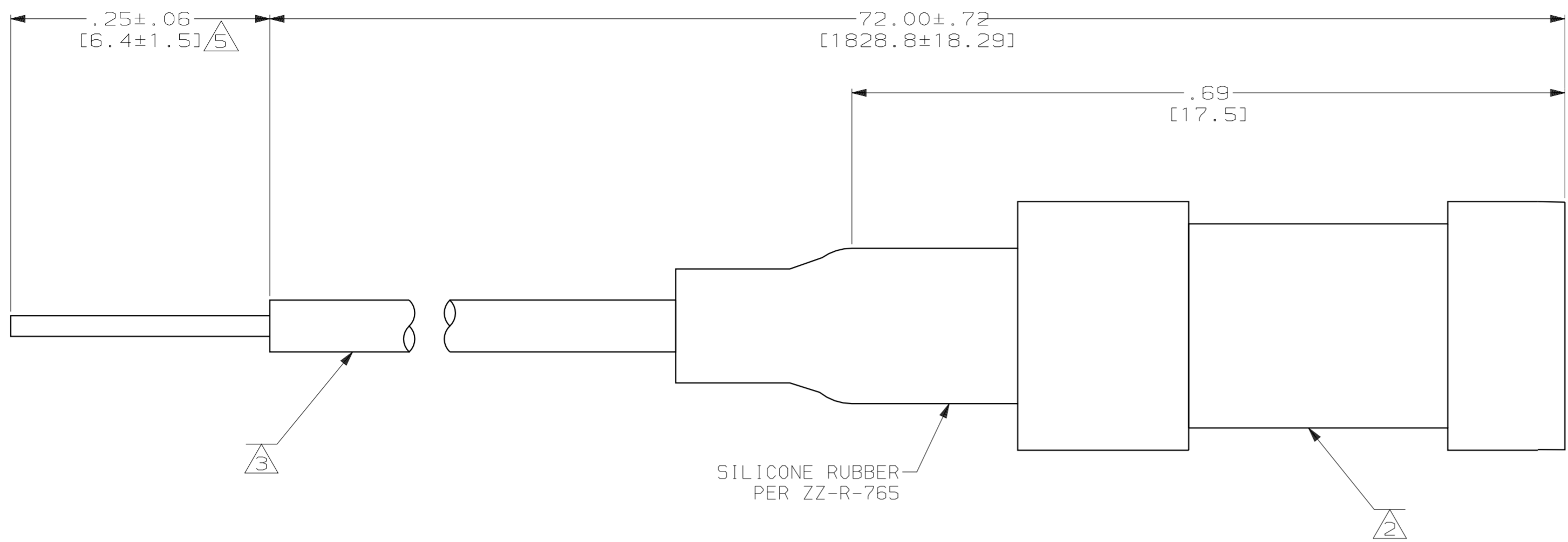


| LOC | DIST | P | F | ZONE | LTR | DESCRIPTION | DATE | APPD |
|-----|------|---|---|------|-----|----------------------------|---------|------|
| DF | 50 | | | | E | REACTIVATE;OH14-0329-05 CT | 7-21-05 | DE |



- ① SIZE 22 PIN CONTACT: .030 [0.76] DIA
MAT'L: BRASS PER QQ-B-626.
- ② RECEPTACLE HOUSING:
MAT'L: GLASS FILLED POLYETHERIMIDE RESIN.
- ③ CONDUCTOR:
24 (19/36) AWG SILVER PLATED COPPER
INSULATION: SILICONE COATED FEP; ϕ .060±.005 [1.52±0.13]
- 4. OPERATING VOLTAGE: 12 KVDC AT 70,000 FT. ALTITUDE.
TEST VOLTAGE: 18 KVDC AT 70,000 FT. ALTITUDE.
- ⑤ PIGTAIL IS SOLDER DIPPED.

THIS DRAWING IS A CONTROLLED DOCUMENT FOR AMP INCORPORATED. IT IS SUBJECT TO CHANGE AND THE CONTROLLING ENGINEERING ORGANIZATION SHOULD BE CONTACTED FOR THE LATEST REVISION.

| | | | |
|--|----------------------------|--|------------------------|
| DO NOT SCALE PRINT. UNLESS SPECIFIED DIMENSIONS IN INCHES [mm] TOLERANCES ON : 2 PLC DEC ± .01 [0.3] 3 PLC DEC ± .005 [0.13] ANGLES ± - | DR 8-17-98 C.C.THOMAS | AMP Incorporated Harrisburg, PA 17105-3608 | |
| | CHK 8-17-98 D.EABY | | |
| MATERIAL SEE CALLOUTS | APPD 8-17-98 D.EABY | NAME RCPT ASSY, MICRO-MINIATURE, 240 SERIES, LGH | |
| FINISH SEE CALLOUTS | APPD 8-17-98 C.C.THOMAS | SIZE C 00779 | DRAWING NO C-448658 |
| | PRODUCT SPEC - | SCALE 10:1 | SHEET 1 OF 1 |
| | APPLICATION SPEC - | | |
| | WEIGHT - | | |

448658-1
PART NO.