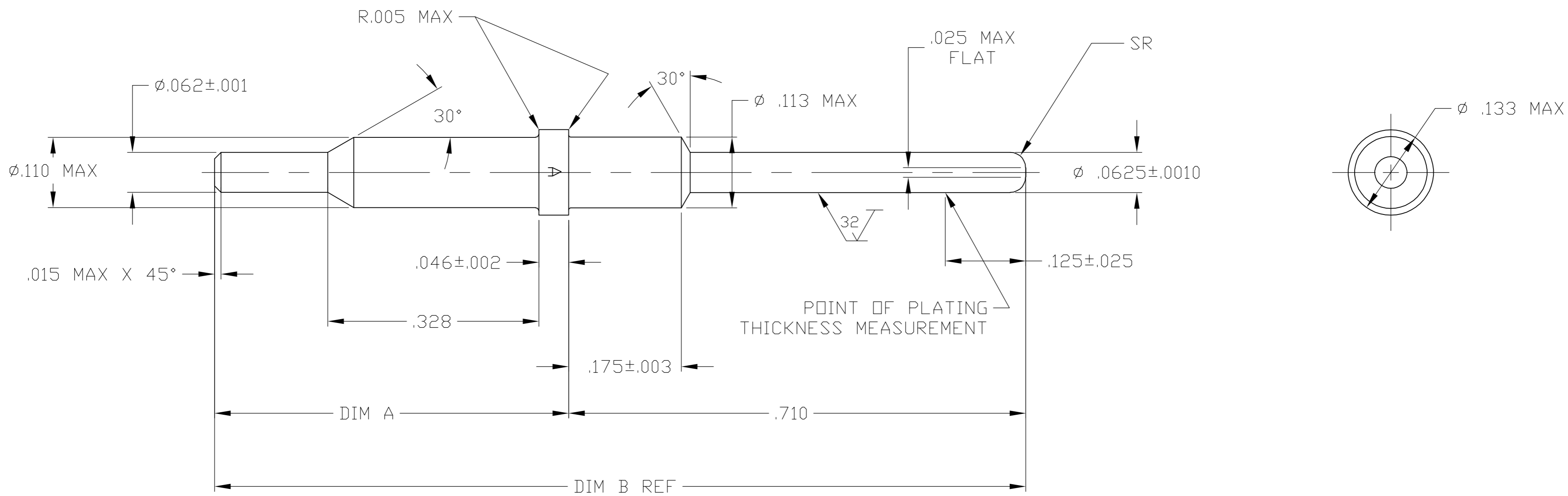


THIS DRAWING IS UNPUBLISHED. RELEASED FOR PUBLICATION  
 © COPYRIGHT BY TYCO ELECTRONICS CORPORATION. ALL RIGHTS RESERVED.

LOC	DIST	REVISIONS					
DF	A0	P	LTR	DESCRIPTION	DATE	DWN	APVD
		G		REV PER ECO 06-126817	7-25-06	CT	DE

- 1 MAT'L: LEADED COPPER PER ASTM-B-152.
- 2 FINISH: GOLD .000050-.000080 THK PER ASTM-B-488  
OVER NICKEL .000050-.000200 THK PER AMS-QQ-N-290.



1.460 REF	.750	2	1	205548-4
1.259 REF	.550	2	1	205548-2
DIM B	DIM A	FINISH	MATERIAL	PART NO

THIS DRAWING IS A CONTROLLED DOCUMENT.		DWN C.C.THOMAS 2-25-05	Tyco Electronics Corporation Harrisburg, Pa 17105-3608	
DIMENSIONS: INCHES		CHK D.EABY 2-28-05		
TOLERANCES UNLESS OTHERWISE SPECIFIED:		APVD D.EABY 2-28-05	NAME PIN, SIZE 16, ARINC 404, (SPECIAL)	
0 PLC ± - 1 PLC ± - 2 PLC ± - 3 PLC ± .005 4 PLC ± .0005 ANGLES ± 5°		PRODUCT SPEC	RESTRICTED TO	
MATERIAL SEE TABLE		APPLICATION SPEC	SIZE A2	CAGE CODE 00779
FINISH SEE TABLE		WEIGHT -	DRAWING NO C=205548	
		CUSTOMER DRAWING	SCALE 8:1	SHEET 1 OF 1
			REV G	

205548

A