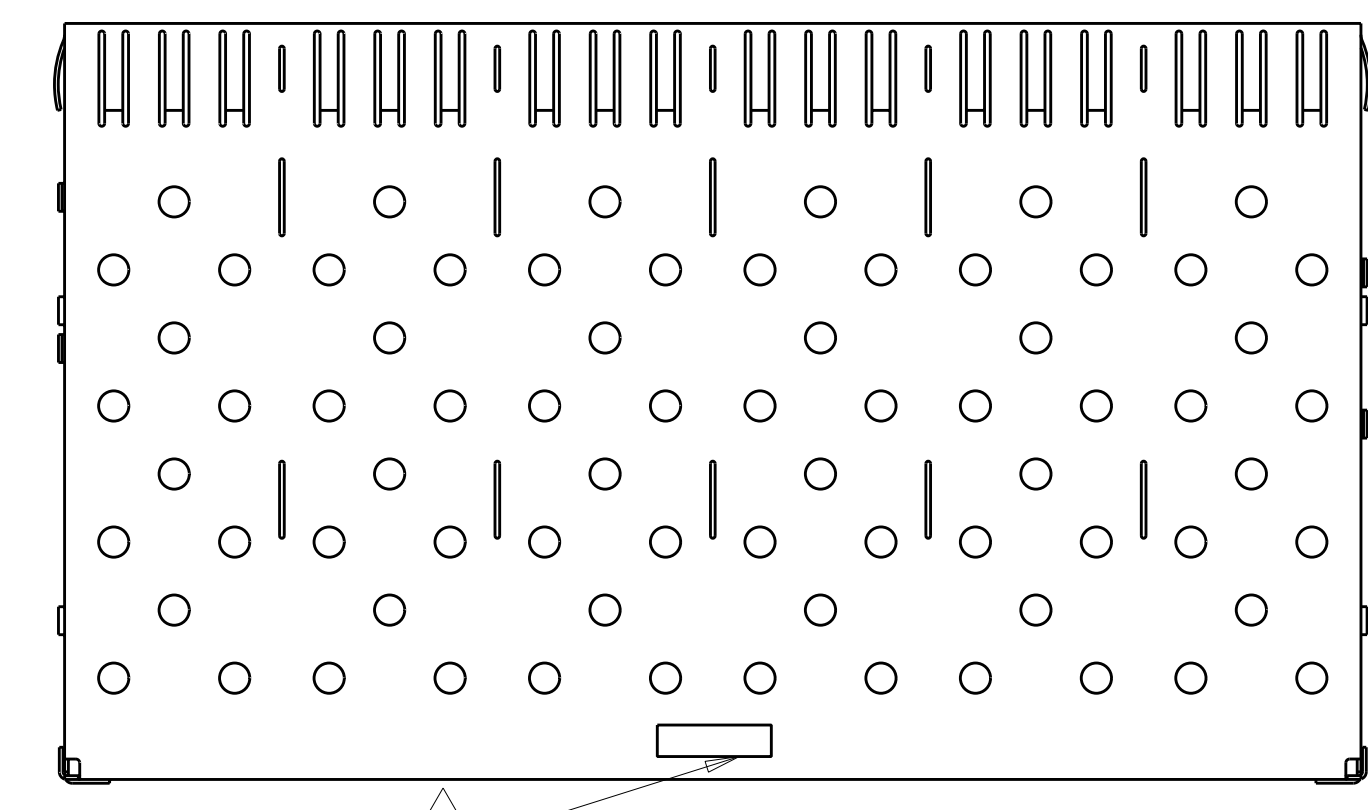
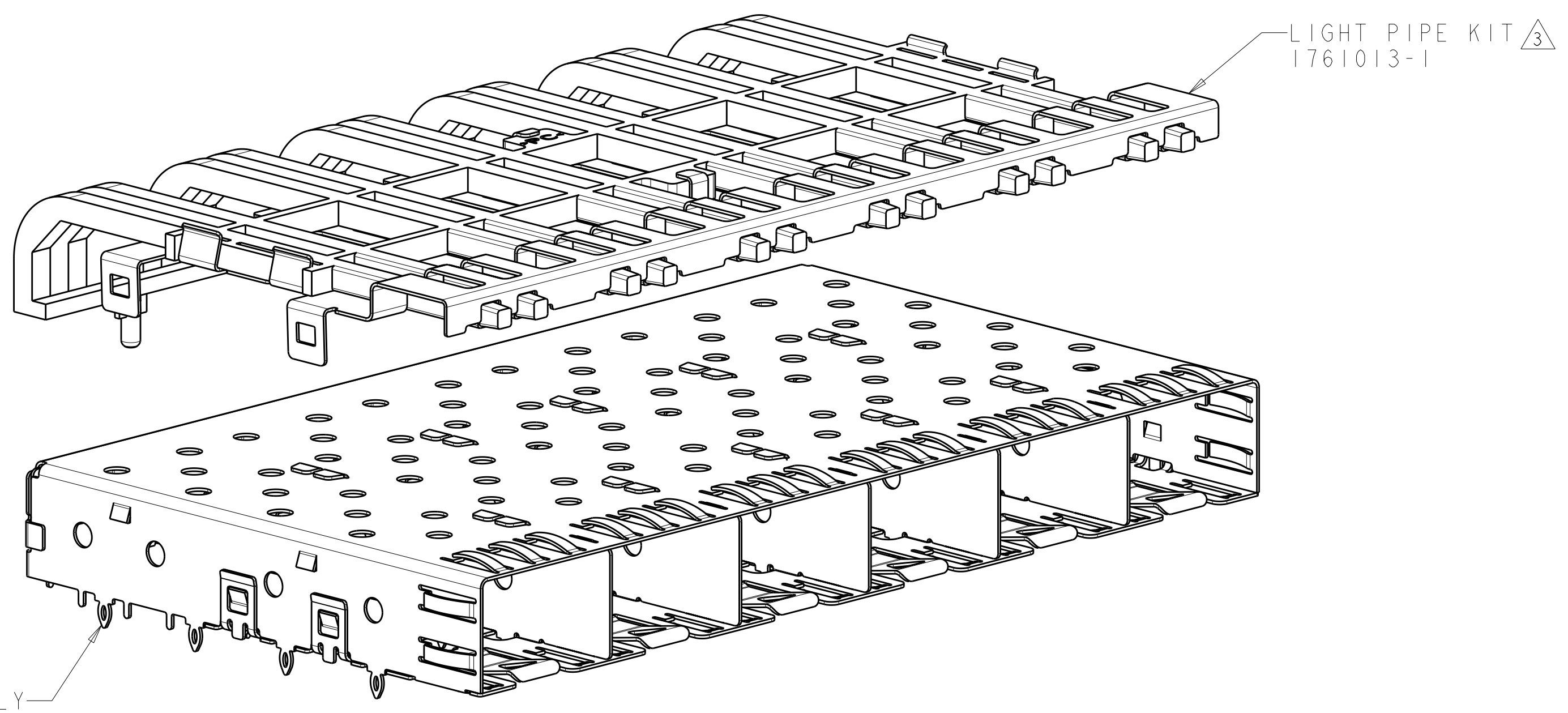
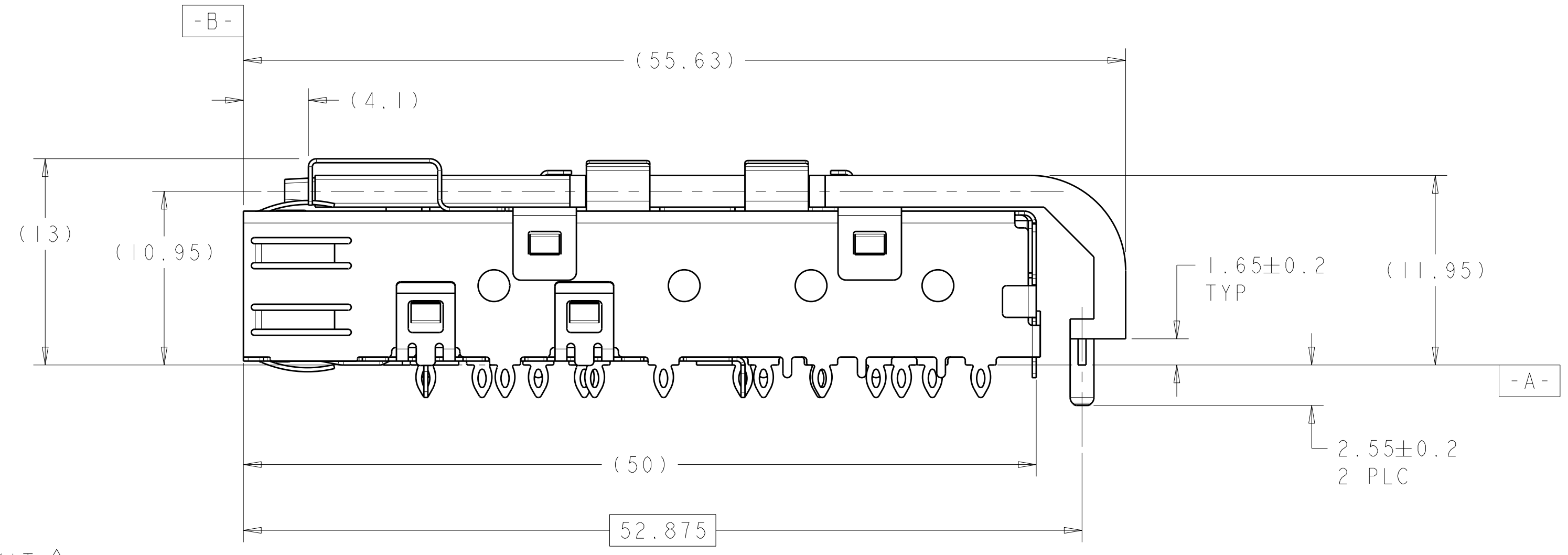
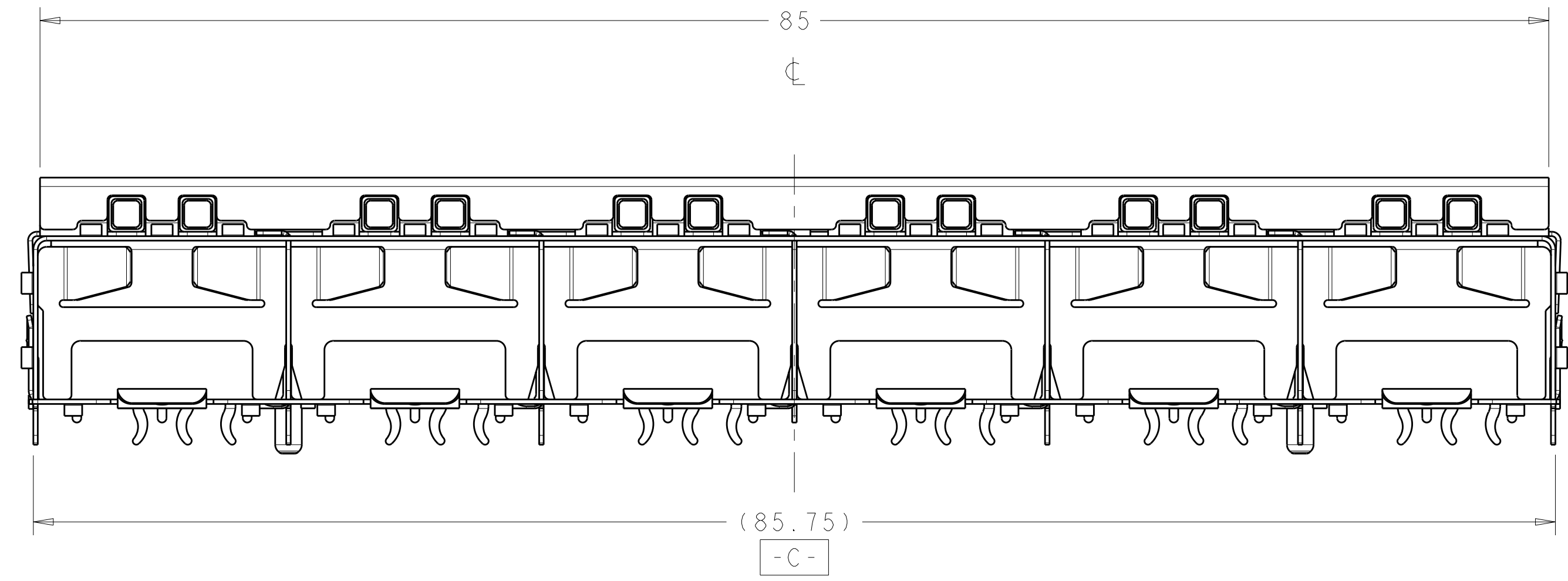
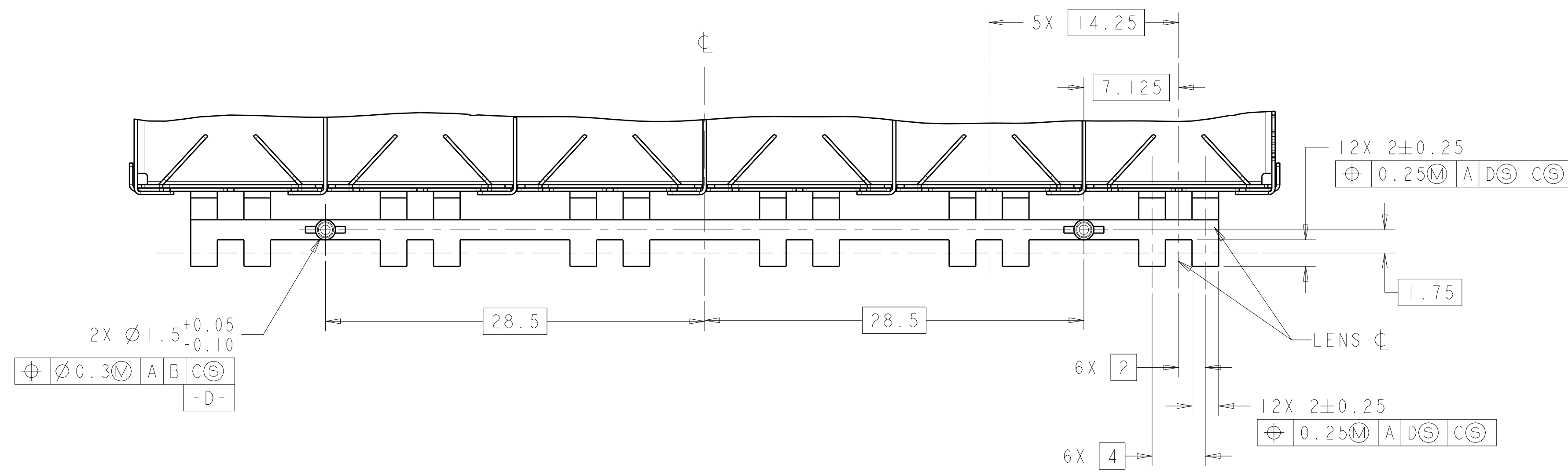


LOC	DIST	REV	DESCRIPTION	DATE	DWN	APVD
GP	00	E1	REVISED PER ECO-11-007052	06APR2011	JY	CW



- △ PADS AND VIAS CHASSIS GROUND
- △ DATUM AND BASIC DIMENSIONS ESTABLISHED BY CUSTOMER.
- △ LIGHT PIPE KIT WHICH IS SEPARATE FROM CAGE ASSEMBLY, KIT TO BE ATTACHED AFTER SEATING OF 1761015-1 ON PC BOARD.
- 4. LABEL ON CAGE WILL HAVE PART NUMBER 1761015-1.
- 5. REFERENCE STYLE 1 ON APPLICATION SPECIFICATION 114-13165 FOR ADDITIONAL INFORMATION ON CAGE ASSEMBLIES WITH LIGHT PIPES.
- △ REFERENCE APPLICATION SPEC 114-13120, HOLE A, FOR RECOMMENDED DRILL HOLES DIAMETER AND PLATING THICKNESSES.
- △ REFERENCE APPLICATION SPEC 114-13120, HOLE B, FOR RECOMMENDED DRILL HOLES DIAMETER AND PLATING THICKNESSES.
- △ PATTERN REPEATS FOR EACH PORT. SPACING BETWEEN PORTS IS 14.25mm.
- △ MINIMUM PC BOARD THICKNESS = 1.50mm.
- △ COMPANY LOGO IN APPROXIMATE AREA SHOWN
- △ BOX WILL CONTAIN TRAYS OF CAGES AND TRAYS OF LIGHT PIPE ASSEMBLIES.
- △ BOX WILL CONTAIN TRAYS OF CAGES AND TRAYS OF LIGHT PIPE ASSEMBLIES. ONE TRAY OF CAGE AND ONE TRAY OF LIGHT PIPE ASSEMBLIES WILL BE HELD BY A LARGE RUBBER BAND.

1658939-1
SCALE 3:1

△12	1X6 ASSEMBLY	1658939-2
△11	1X6 ASSEMBLY	1658939-1
PACKAGE	POSITION	PART NUMBER

THIS DRAWING IS A CONTROLLED DOCUMENT.

4805 (3/11)

Pro/ENGINEER DRAWING

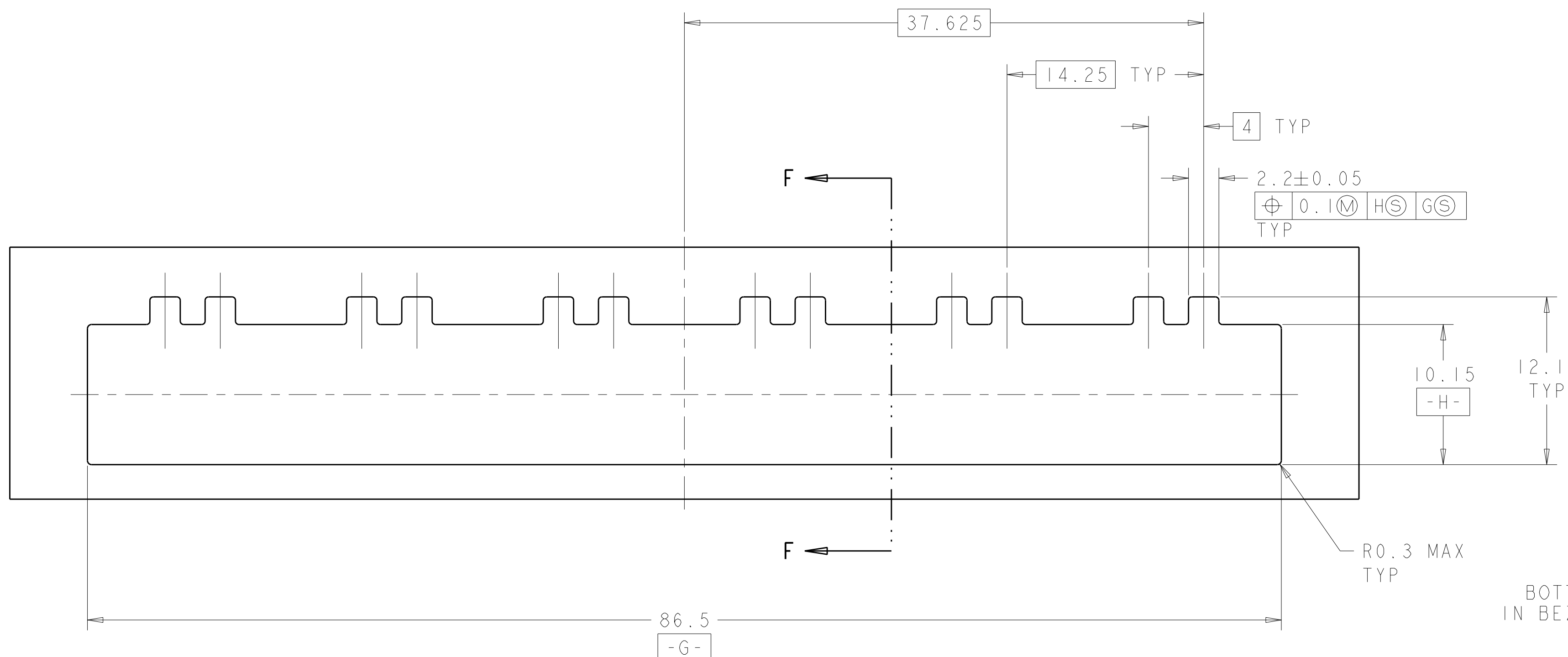
DIMENSIONS:	TOLERANCES UNLESS OTHERWISE SPECIFIED:	DRAWN: M.E. CONNER 21NOV2003	CHEK: M.J. PHILLIPS 21NOV2003	APVD: M.J. PHILLIPS 21NOV2003
mm	0 PLC ±0.1 1 PLC ±0.1 3 PLC ±0.1 4 PLC ±0.100 ANGLES ±°	PRODUCT SPEC 108-1950	APPLICATION SPEC 114-13120	WEIGHT
MATERIAL	FINISH	SIZE: A100779	CAGE CODE: C=1658939	SCALE: 4:1
CUSTOMER DRAWING		SHEET 1 OF 3		

TE Connectivity

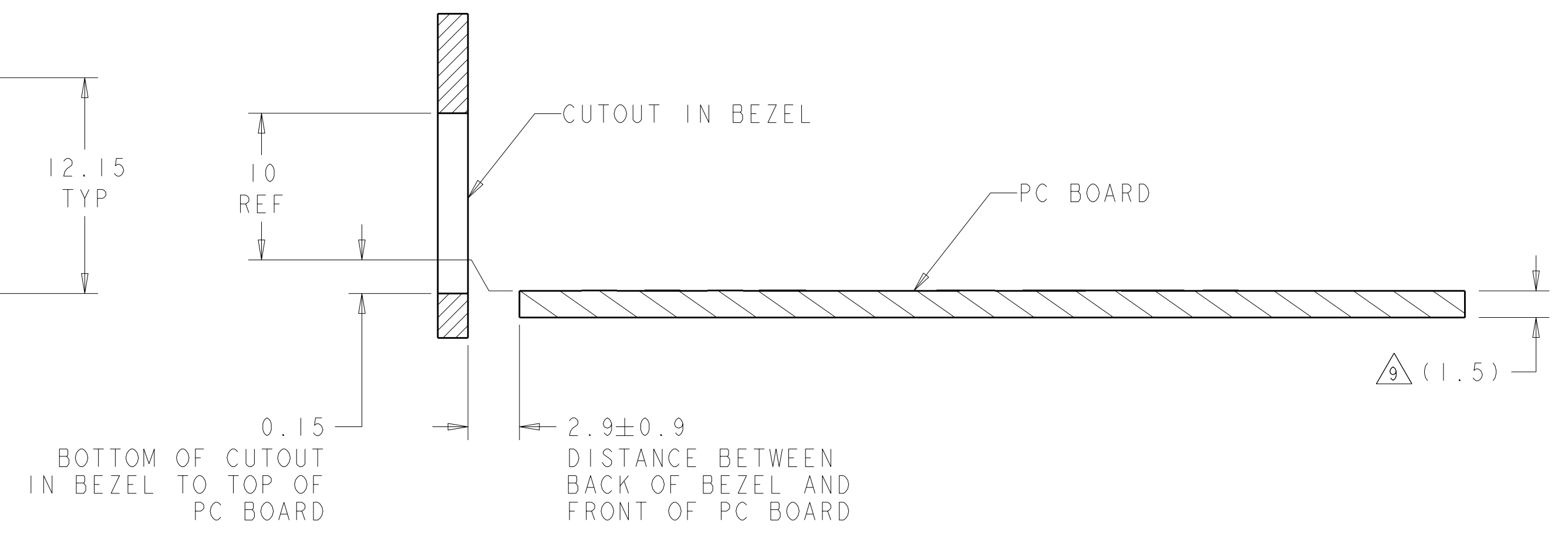
SFP 1X6 CAGE ASSEMBLY WITH LIGHT PIPE

RESTRICTED TO

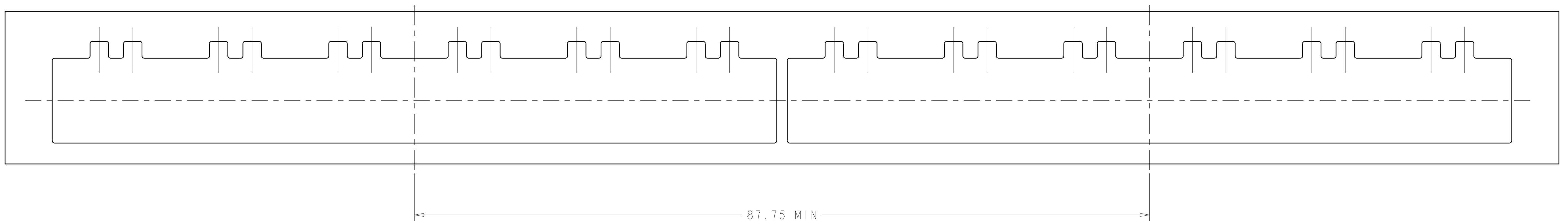
LOC	DIST	REV	DATE	BY	APPD
GP	00				
DESCRIPTION			DATE	DWN	APPD
SEE SHEET 1			-	-	-



RECOMMENDED BEZEL CUTOUT



SECTION F-F
RECOMMENDED BEZEL CONFIGURATION

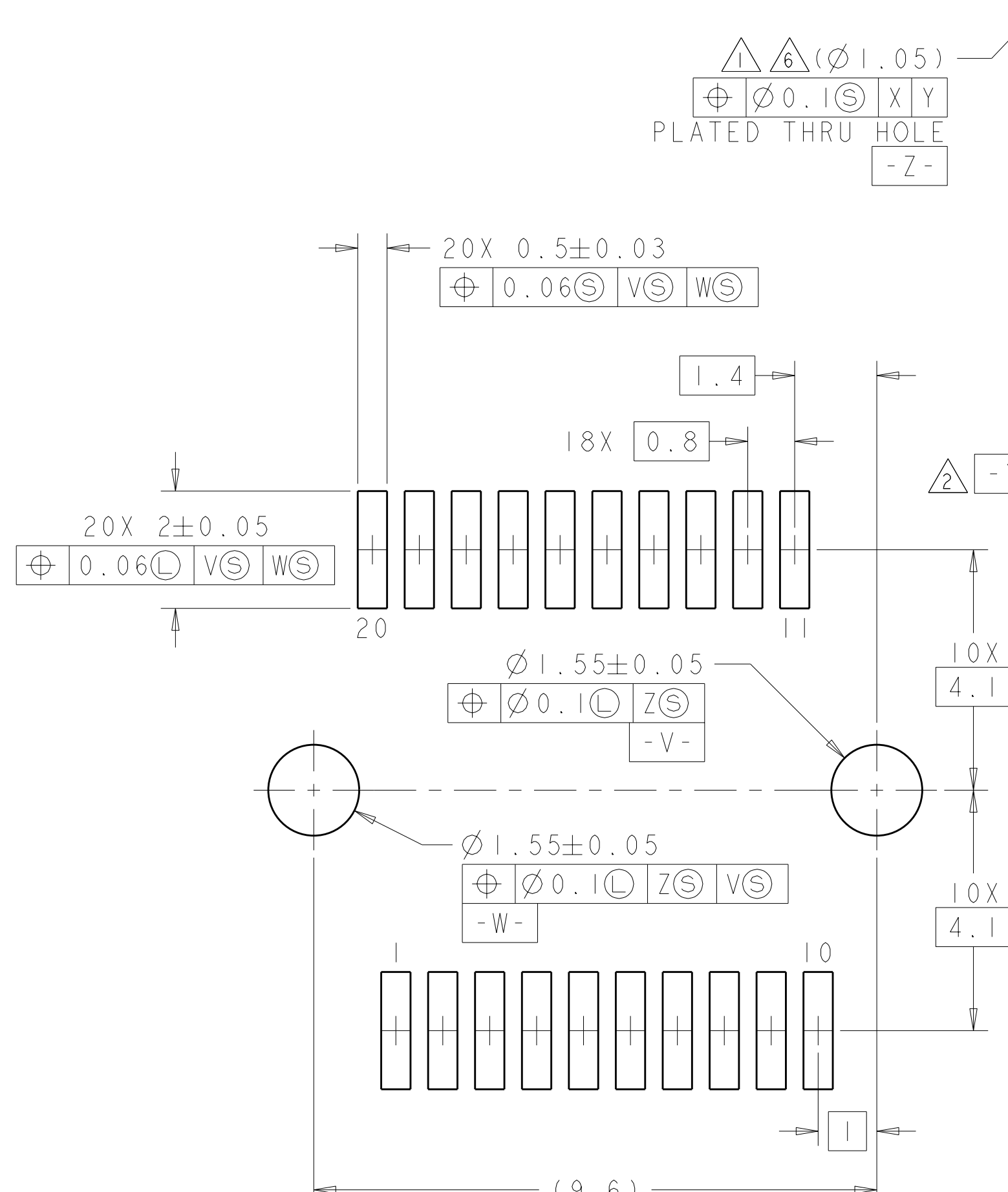
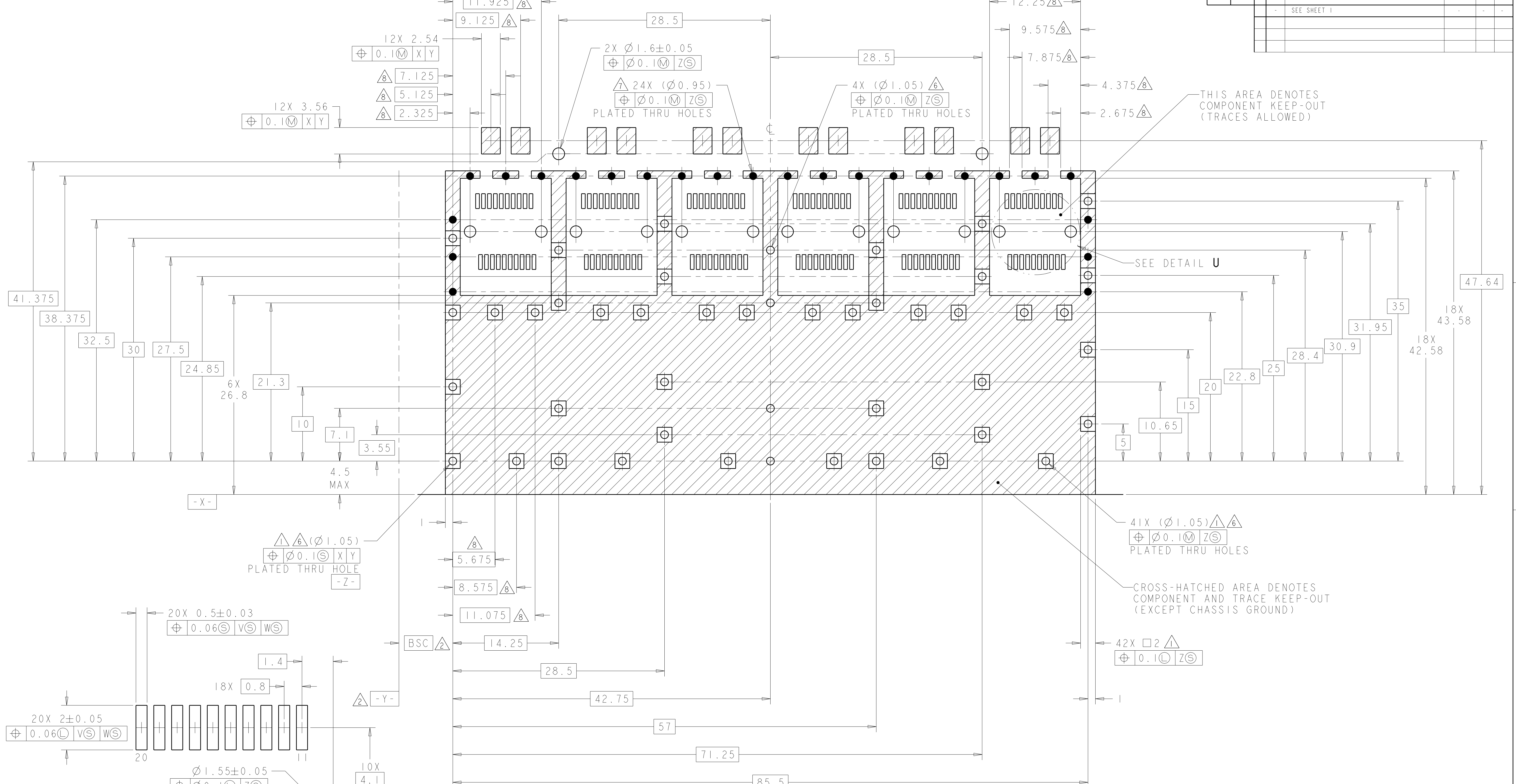


87.75 MIN

THIS DRAWING IS A CONTROLLED DOCUMENT.		DWN: M.E. COWHER 21NOV2003	 TE Connectivity
DIMENSIONS: mm		CHK: M.J. PHILLIPS 21NOV2003	
TOLERANCES UNLESS OTHERWISE SPECIFIED:		APVD: M.J. PHILLIPS 21NOV2003	NAME: SFP
0 PLC ±0.1	1 PLC ±0.1	PRODUCT SPEC: 108-1950	SIZE: CAGE CODE: DRAWING NO: A100779C-1658939
2 PLC ±0.10	3 PLC ±0.10	APPLICATION SPEC: 114-13120	RESTRICTED TO: -
4 PLC ±*	ANGLES ±1°	WEIGHT: -	SCALE: 4:1 SHEET 2 OF 3 REV: E
MATERIAL: -	FINISH: -	CUSTOMER DRAWING	

LOC	DIST	REV	DATE	BY	APPD
GP	00				

REVISIONS		
NO.	DESCRIPTION	DATE
1	SEE SHEET 1	



DETAIL U
RECOMMENDED PT CONNECTOR LAYOUT
6X INDIVIDUALLY
SCALE 12:1

RECOMMENDED PC BOARD
CONFIGURATION

THIS DRAWING IS A CONTROLLED DOCUMENT.		DWN M.E. CONNER 21NOV2003 CHK M.J. PHILLIPS 21NOV2003 APVD M.J. PHILLIPS 21NOV2003	TE Connectivity
DIMENSIONS: mm 	TOLERANCES UNLESS OTHERWISE SPECIFIED: 0 PLC ±0.1 1 PLC ±0.1 2 PLC ±0.10 3 PLC ±0.10 4 PLC ±* ANGLES ±*	NAME SFP PRODUCT SPEC 1X6 CAGE ASSEMBLY WITH LIGHT PIPE APPLICATION SPEC 108-1950 114-13120 WEIGHT CUSTOMER DRAWING	
MATERIAL	FINISH	SCALE 4:1	SHEET 3 OF 3 REV E